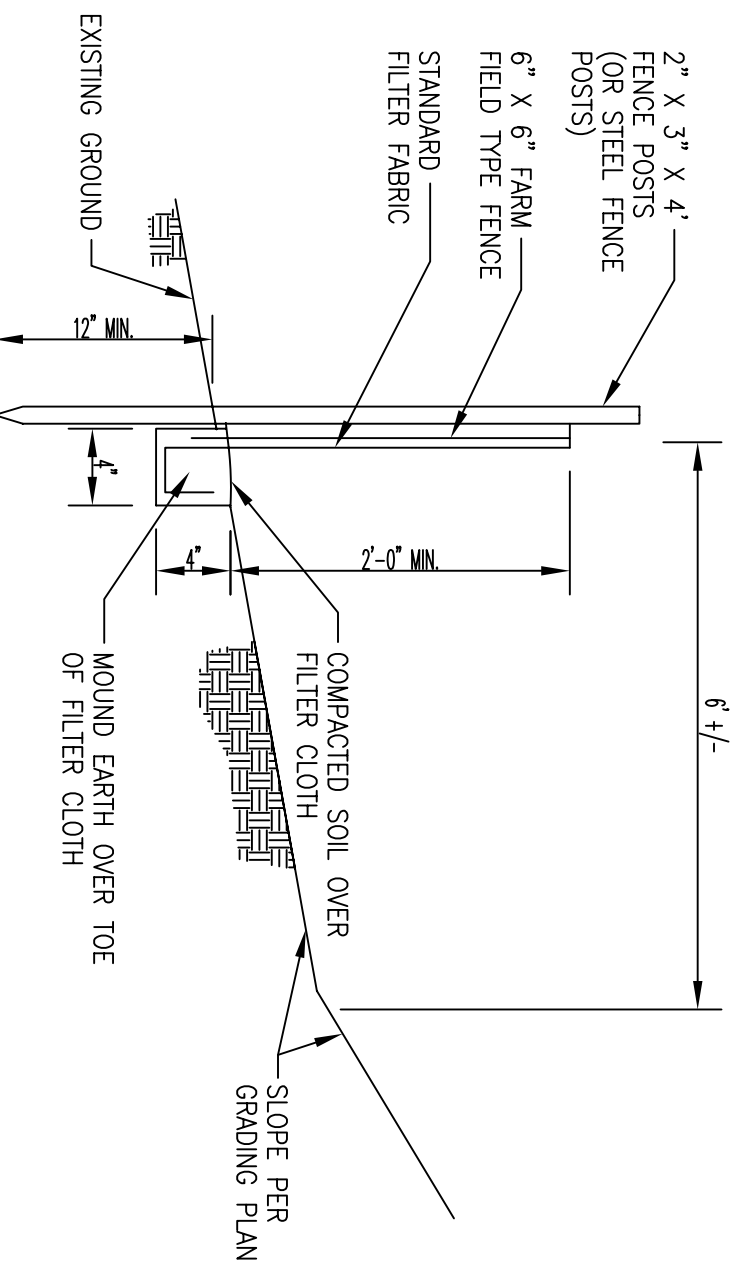
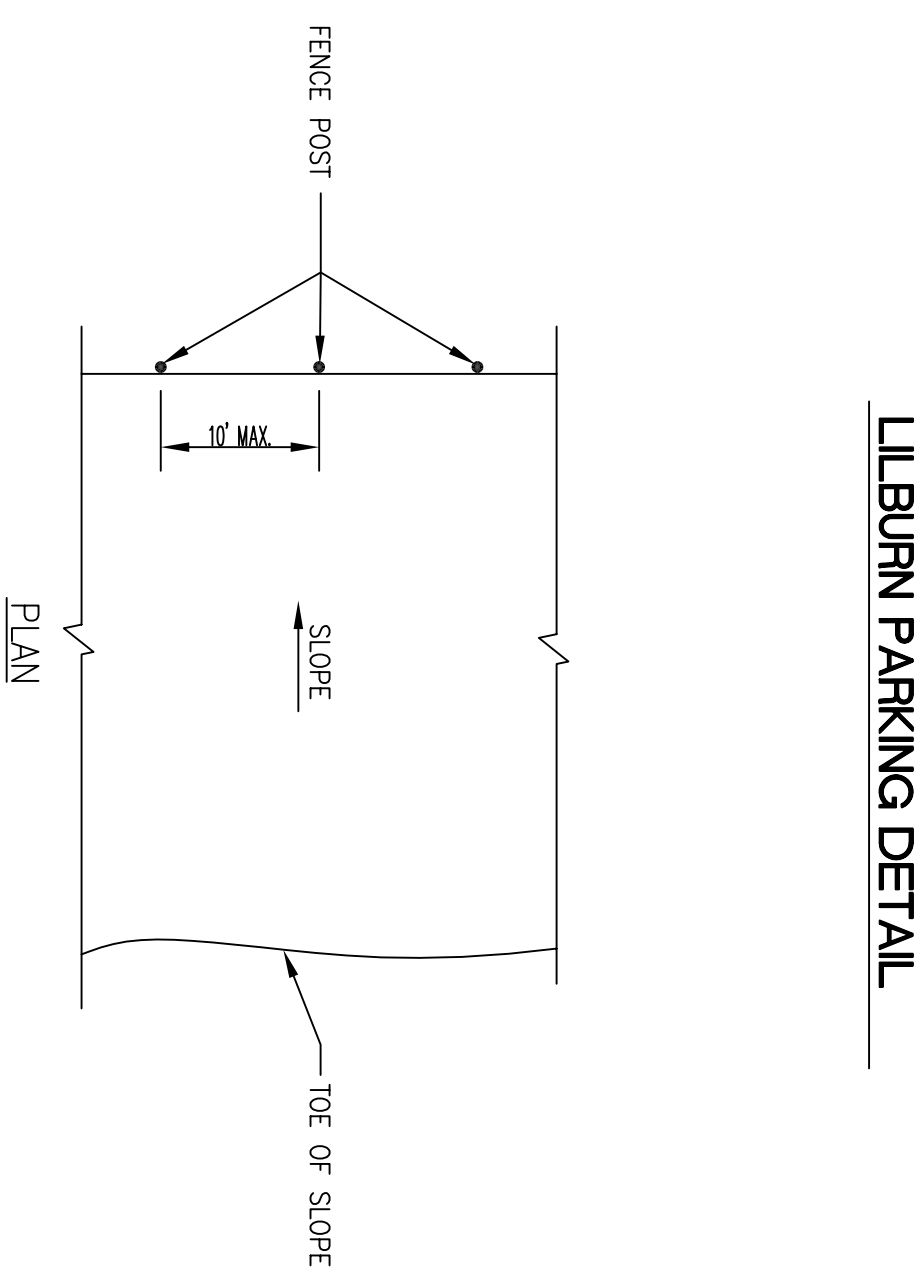
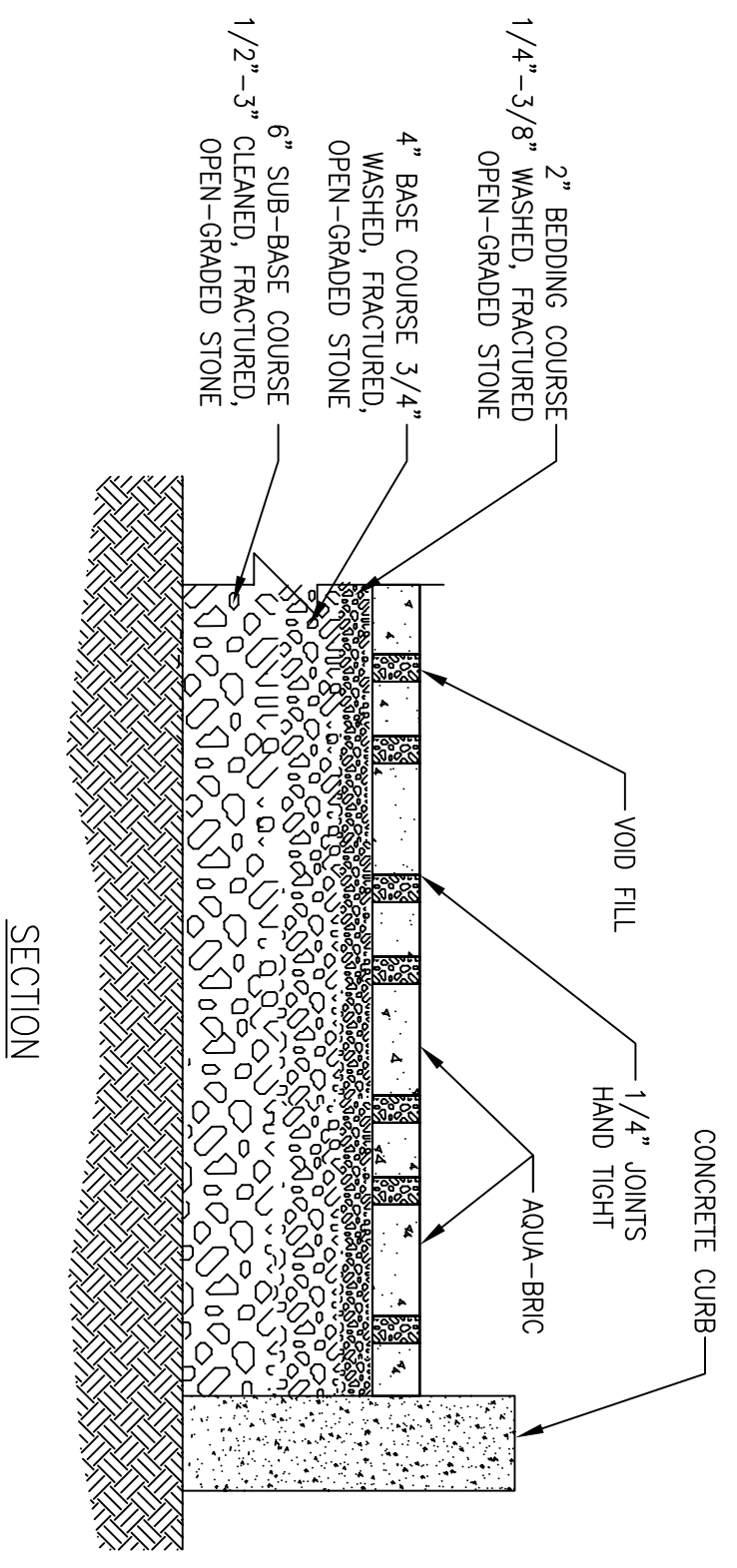
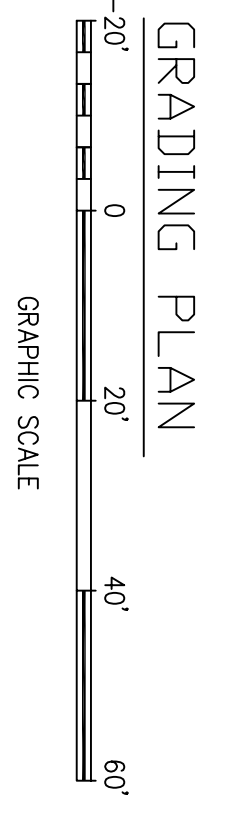
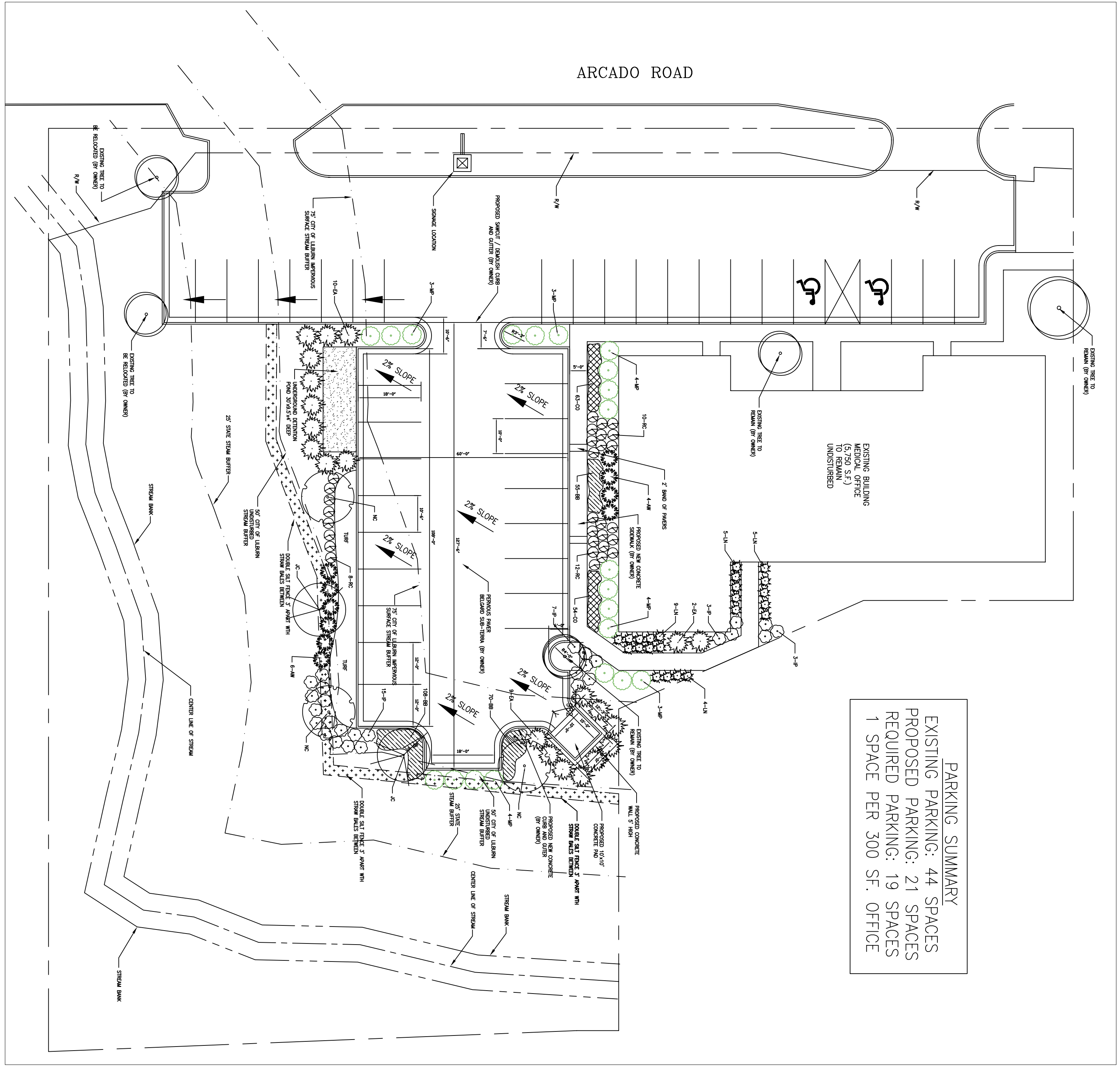


PLANT SCHEDULE				SCIENTIFIC NAME	COMMON NAME
KEY	QTY	SIZE			
TREES	2	8" HT.	JAPANESE CEDAR	CRYPTOMERIA JAPONICA	
JC	3	8" HT.	NATCHEZ GRAPE MYRTLE	LAGERSTROMIA INDICA 'NATCHEZ'	
SHRUBS	10	#5	SPIREA BIVALIDA 'ANTHONY WATERER'	ANTHONY WATERER SPIREA	
EA	21	#5	EUONYMUS ALATA 'COMPACTA'	DWARF BURNING BUSH	
MP	21	#5	MYRICA PENSYLVANICA	RAWHOLEY	
IP	28	#3	INDIAN PRINCESS HAMMORN	RAWHOLEY'S INDICA 'MONTO'	
LN	23	#3	LILY OF THE NILE	AGAPANTHUS AFRICANUS	
FC	30	#3	RUBY CHINESE FRINGE FLOWER	LOROPETALUM CHINENSIS 'RUBY'	
GROUND COVER/BULBS					
BB	233 SF	#1	BIG BLUE	TIROPE MUSCARI 'BIG BLUE'	
CO	117 SF		SEASONAL COLOR		



NOTES:
 1. IF HEAVY DUTY FILTER CLOTH IS USED, THE WIRE FENCE FABRIC MAY BE OMITTED AND THE MAXIMUM FENCE POST SPACING SHALL BE REDUCED TO 6'.
 2. SILT FENCE, ONCE INSTALLED, SHALL BE MAINTAINED THROUGHOUT THE LIFE OF THIS CONTRACT OR UNTIL NO LONGER NEEDED AT NO ADDITIONAL COST TO THE OWNER.

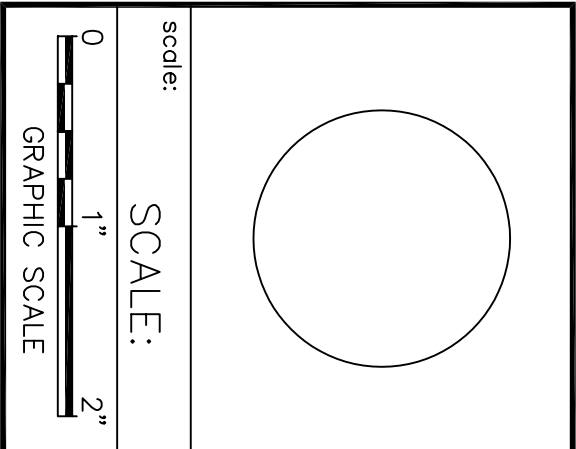
SILT FENCE



PARKING SUMMARY
 EXISTING PARKING: 44 SPACES
 PROPOSED PARKING: 21 SPACES
 REQUIRED PARKING: 19 SPACES
 1 SPACE PER 300 SF. OFFICE

SOUTHERN LANDSCAPE DESIGNS

sym	revisions	date



job#	-
contract#	-
designed:	WHJ
drawn:	WHJ
checked:	JB
date:	1-3-10

GRADING PLAN
 US 29/ SR 8 AND BEAVER RUN RD. DON W. PRINTZ PARCEL NO. 46
 Copyright © 2009 by Southern Landscape Designs.

SHEET
A-1